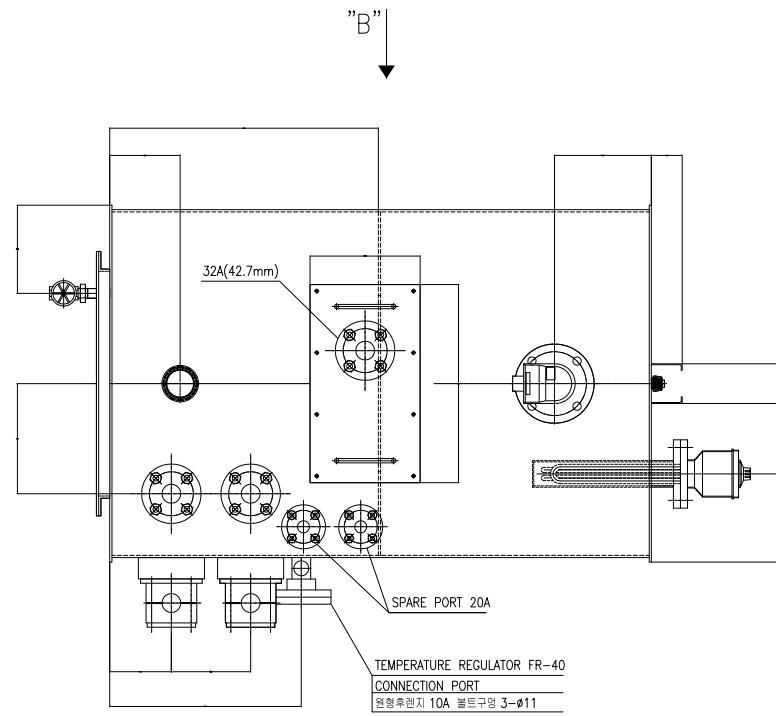
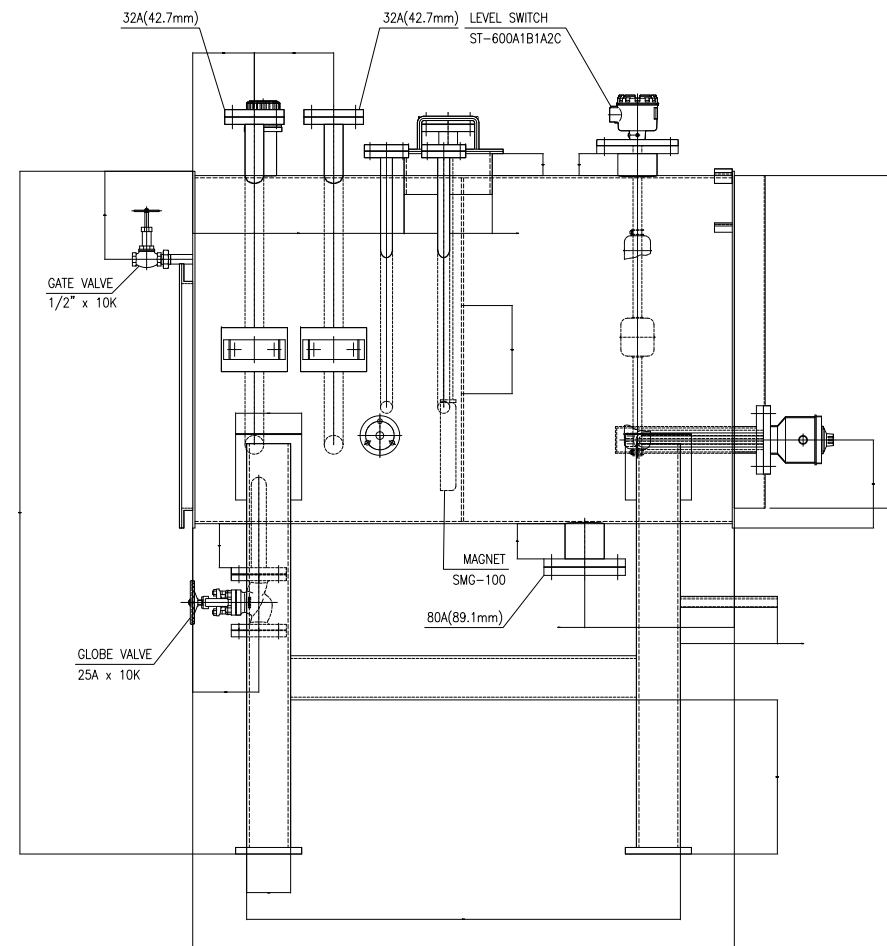
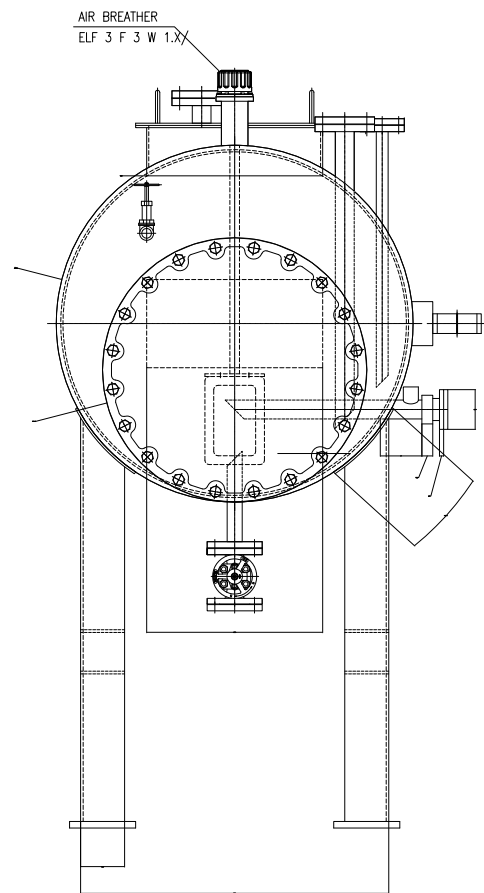
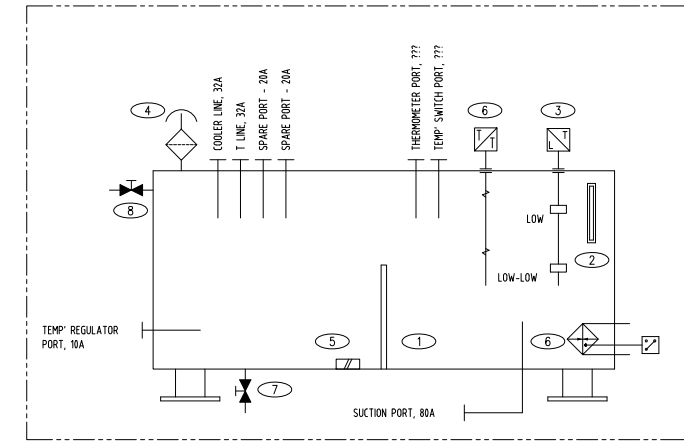


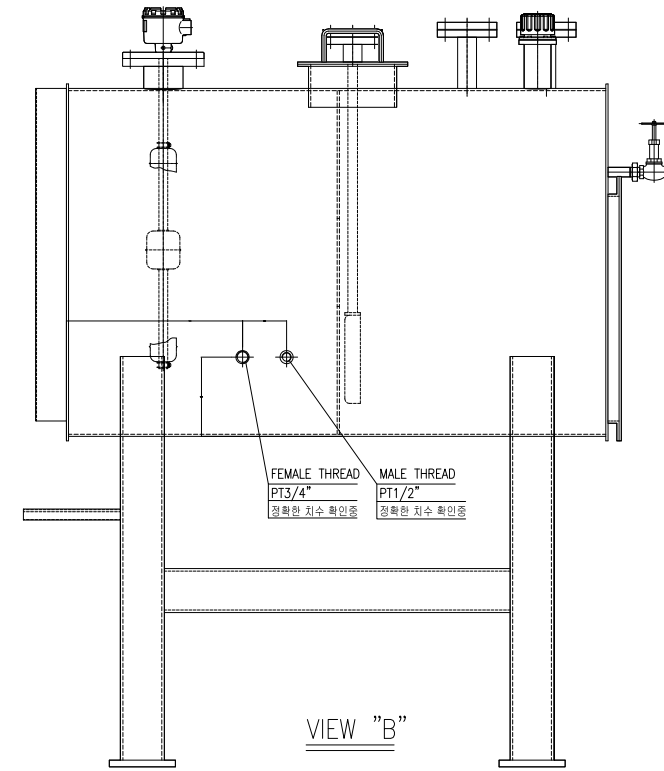
VIEW "A"



"B"



"A"



VIEW "B"

8	GATE VALVE	K.S	1	15A x 10K
7	GLOBE VALVE	K.S	1	25A x 10K
6	HEATER	WOOCHANG	1	1KW x 440V
5	MAGENET	SHC	1	SMG-100
4	AIR BREATHER	HYDCA	1	ELF P 3 F 3 W1.0/
3	LEVEL SWITCH	SEJQIN	1	ST-600A1B1A2C
2	LEVEL GAUGE	HYDAC	1	FSA-700-1.0/-/-12
1	OIL TANK	SUS304	1	600L

XXX	XXX	J.H.Lee	XXXXXX
20xx.xx.xx	20xx.xx.xx	20xx.xx.xx	20xx.xx.xx
Index / created / checked / approved / change note			
일반모타기 edge radii	형상규격 KS B ISO 1101 shape and position tolerance	용접기호 KS B 0052 welding symbol	표면가공 KS A ISO 1302 surface finish
수주번호/sale order no.	XXXXXX	무게/weight in kg	600
고객/customer	XXX	소재/material descr.(KSI)	
부서/depart.	Document: FE	품명/item name	오일 탱크
Design	날짜/date	이름/name	HYDRAULIC OIL TANK UNIT
작성/created	2021.08.24	KIM YM	
검토/checked	2021.08.24	BAE DR	
승인/approved	2021.08.24	J.H.Lee	
Index / A	첫번째도면/First issue	Industrial Hydraulics	FE027-S6606564-W-001

수량 : 1 SET