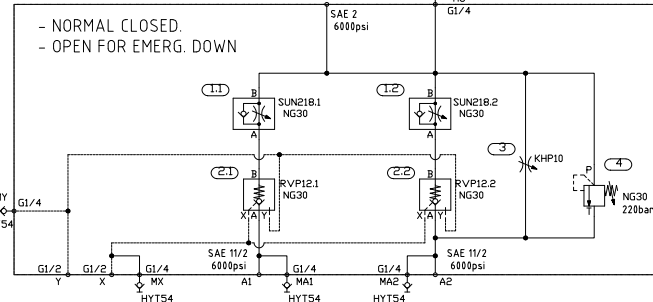
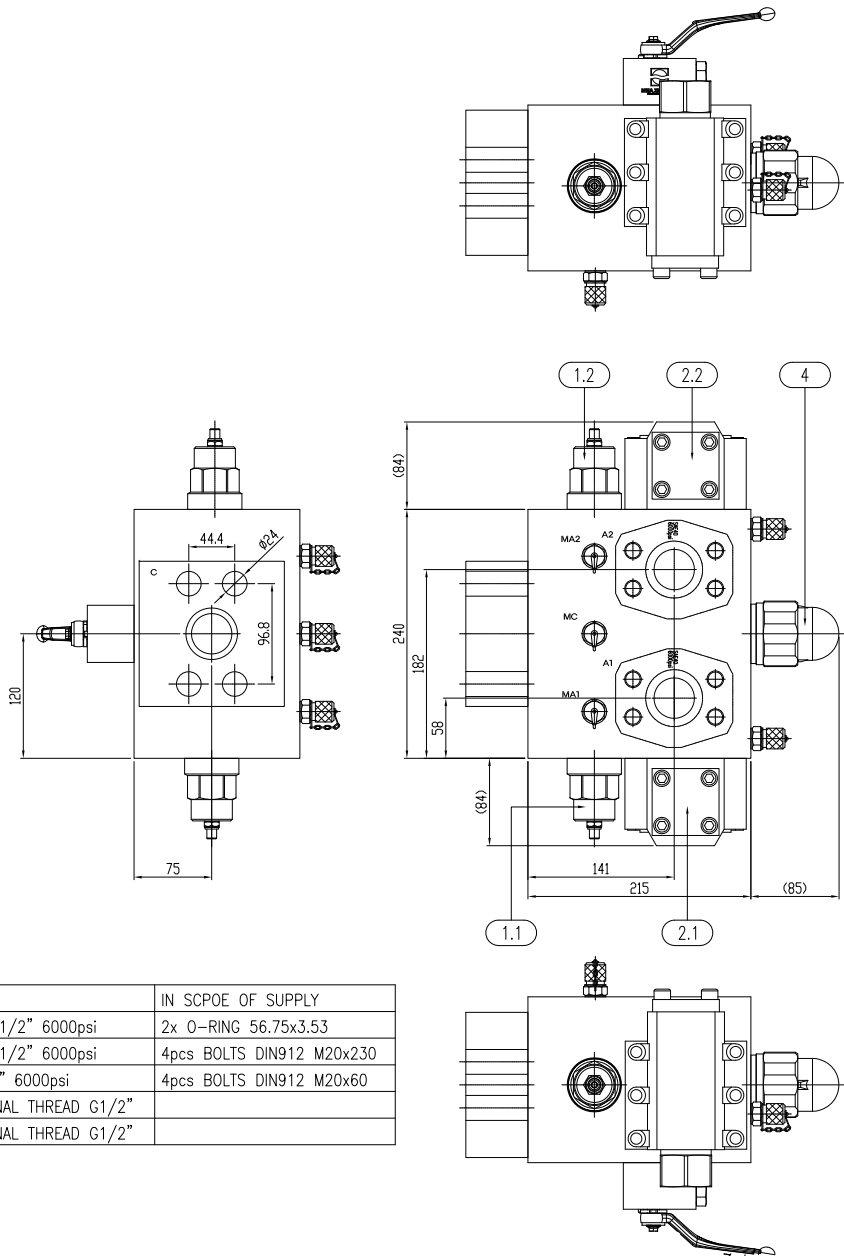


Diese Unterlage darf weder kopiert noch dritten Personen zugänglich gemacht werden. Schutzvermerk DIN34 beachten.
 This document may not be copied or passed on to a third person. Copyright reserved.



MARK	SIZE	IN SCOPE OF SUPPLY
A1	SAE 11/2" 6000psi	2x O-RING 56.75x3.53
A2	SAE 11/2" 6000psi	4pcs BOLTS DIN912 M20x230
C	SAE 2" 6000psi	4pcs BOLTS DIN912 M20x60
X	INTERNAL THREAD G1/2"	
Y	INTERNAL THREAD G1/2"	

K.H.ND 20th.xx.xx	H.S.MN 20th.xx.xx	J.H.LEE 20th.xx.xx	Type : AG027-LT-M-C-R-T	
Index	??/created	??/checked	??/approved	???? / change note
????	???? KS B ISO 1101	???? KS B ISO 1101	???? KS B ISO 1101	???? KS B ISO 1101
edge radii	shape and position tolerance	welding symbol	general machining tolerances	surface finish
KS A ISO 13715	KS B ISO 1101	KS B ISO 0052	KS B ISO 2768-mK	KS A ISO 1302
??/finished size	weight (without valve)	??/Parts no	R-	
160x215x240	64.8 Kg			
??/customer	??/sales order no.	A Bosch Company		??/material descr.(KS or DN)
POSCO	N/A			GGG40
??/depart.	Document:	AG	??/item name	??/sheet:1
Design	??/date	??/name	LADDLE TURRET LIFTING CYLINDER BLOCK	??/of:1
??/created	2021.01.12	H.S.MN		
??/checked	2021.01.13	K.H.ND		
??/approved	2021.01.14	J.H.LEE	Industrial Hydraulics	??/drawing no.
Index / A	????/First issue	?? scale	1:5	A3
		?? size		AG027-xxxx