

Spare parts list

Bosch Rexroth AG
Service Hydraulics
Glockeraustrasse 4
89275 Elchingen
Germany
+49 (0)7308/82-2126

Material number: R902436745
Drawing: R902435294
Designation: CONTROL MODULE
A4VSG 71 EPD /11 -V

Status of version: 07/2021

Date: 14.07.2021

Page: 1

Pos.	Material number	Designation	Quantity
1	R910930197	CONTROL HOUSING	1 UNIT
2	R902474030	LEVER	1 UNIT
3	R910965499	CONTROL COVER	1 UNIT
4	R910965421	CONTROL PISTON	1 UNIT
6	R910965472	SPRING SLEEV	1 UNIT
7	R902426686	SPRING SLEEV	2 UNIT
8	R910965545	SHIM RING	1 UNIT
9	R910965537	COUNTER NUT	1 UNIT
10	R910965502	ADJUSTMENT SHIM	1 UNIT
11	R902438042	PIVOT	2 UNIT
12	R910966711	SCREW PLUG	1 UNIT
13	R902435820	COMPRESSION SPRING	2 UNIT
14	R902426531	COMPRESSION SPRING	1 UNIT

L = Assembly group D = Sealing element

Security notice:

Assembly, commissioning and operation, disassembly, service (including maintenance and repair) require basic mechanical/electrical/hydraulic/pneumatic knowledge, as well as knowledge of the appropriate technical terms. In order to ensure operating safety, these activities may therefore only be carried out by qualified technical personnel or an instructed person under the direction and supervision of qualified personnel. Qualified personnel are those who can recognize possible hazards and institute the appropriate safety measures due to their professional training, knowledge, and experience, as well as their understanding of the relevant conditions pertaining to the work to be done. Qualified personnel must observe the rules relevant to the subject area. Also observe the generally applicable, legal or otherwise binding regulations of the European or national legislation and the rules for the prevention of accidents and for environmental protection applicable in your country. The data specified above only serve to describe the product. No statements concerning a certain condition or suitability for a certain application can be derived from our information. The given information does not release the user from the obligation of own judgement and verification. It must be remembered that our products are subject to a natural process of wear and aging.

©This document, as well as the data, specifications and other information set forth in it, are the exclusive property of Bosch Rexroth AG. Without their consent it may not be reproduced or given to third parties.

Spare parts list

Bosch Rexroth AG
Service Hydraulics
Glockeraustrasse 4
89275 Elchingen
Germany
+49 (0)7308/82-2126

Material number: R902436745
Drawing: R902435294
Designation: CONTROL MODULE
A4VSG 71 EPD /11 -V

Status of version: 07/2021

Date: 14.07.2021

Page: 2

Pos.	Material number	Designation	Quantity	
15	R902576601	RETAINING RING	1 UNIT	
16	R910105422	SUPPORTING DISC	1 UNIT	
17	R902602653	PROPORTIONAL SOLENOID	2 UNIT	
18	R910997949	CLAMPING SLEEVE	2 UNIT	
19	R910073571	SLOTTED SPRING PIN	2 UNIT	
20	R910109304	SOCKET HEAD CAP SCREW	1 UNIT	
21	R910120111	SOCKET HEAD CAP SCREW	6 UNIT	
22	R910109177	SOCKET HEAD CAP SCREW	1 UNIT	
24	R909831318	DOUBLE BREAK-OFF PLUG	1 UNIT	
25	R910971138	O-RING	1 UNIT	D
26	R910934357	O-RING	1 UNIT	D
27	R910824801	O-RING	1 UNIT	D
28	R910930806	O-RING	3 UNIT	D

L = Assembly group D = Sealing element

Security notice:

Assembly, commissioning and operation, disassembly, service (including maintenance and repair) require basic mechanical/electrical/hydraulic/pneumatic knowledge, as well as knowledge of the appropriate technical terms. In order to ensure operating safety, these activities may therefore only be carried out by qualified technical personnel or an instructed person under the direction and supervision of qualified personnel. Qualified personnel are those who can recognize possible hazards and institute the appropriate safety measures due to their professional training, knowledge, and experience, as well as their understanding of the relevant conditions pertaining to the work to be done. Qualified personnel must observe the rules relevant to the subject area. Also observe the generally applicable, legal or otherwise binding regulations of the European or national legislation and the rules for the prevention of accidents and for environmental protection applicable in your country. The data specified above only serve to describe the product. No statements concerning a certain condition or suitability for a certain application can be derived from our information. The given information does not release the user from the obligation of own judgement and verification. It must be remembered that our products are subject to a natural process of wear and aging.

©This document, as well as the data, specifications and other information set forth in it, are the exclusive property of Bosch Rexroth AG. Without their consent it may not be reproduced or given to third parties.

Spare parts list

Bosch Rexroth AG
Service Hydraulics
Glockeraustrasse 4
89275 Elchingen
Germany
+49 (0)7308/82-2126

Material number: R902436745
Drawing: R902435294
Designation: CONTROL MODULE
A4VSG 71 EPD /11 -V

Status of version: 07/2021

Date: 14.07.2021

Page: 3

Pos.	Material number	Designation	Quantity	
29	R910756601	O-RING	1 UNIT	D
30	R909156649	SCREW PLUG	1 UNIT	D
31	R909153930	SCREW PLUG	1 UNIT	
34	R902650809	SHIM RING	2 UNIT	
35	R910756652	SHIM RING	2 UNIT	
36	R910416398	SHIM RING	2 UNIT	
46	R910923856	NOZZLE	1 UNIT	

L = Assembly group D = Sealing element

Security notice:

Assembly, commissioning and operation, disassembly, service (including maintenance and repair) require basic mechanical/electrical/hydraulic/pneumatic knowledge, as well as knowledge of the appropriate technical terms. In order to ensure operating safety, these activities may therefore only be carried out by qualified technical personnel or an instructed person under the direction and supervision of qualified personnel. Qualified personnel are those who can recognize possible hazards and institute the appropriate safety measures due to their professional training, knowledge, and experience, as well as their understanding of the relevant conditions pertaining to the work to be done. Qualified personnel must observe the rules relevant to the subject area. Also observe the generally applicable, legal or otherwise binding regulations of the European or national legislation and the rules for the prevention of accidents and for environmental protection applicable in your country. The data specified above only serve to describe the product. No statements concerning a certain condition or suitability for a certain application can be derived from our information. The given information does not release the user from the obligation of own judgement and verification. It must be remembered that our products are subject to a natural process of wear and aging.

©This document, as well as the data, specifications and other information set forth in it, are the exclusive property of Bosch Rexroth AG. Without their consent it may not be reproduced or given to third parties.

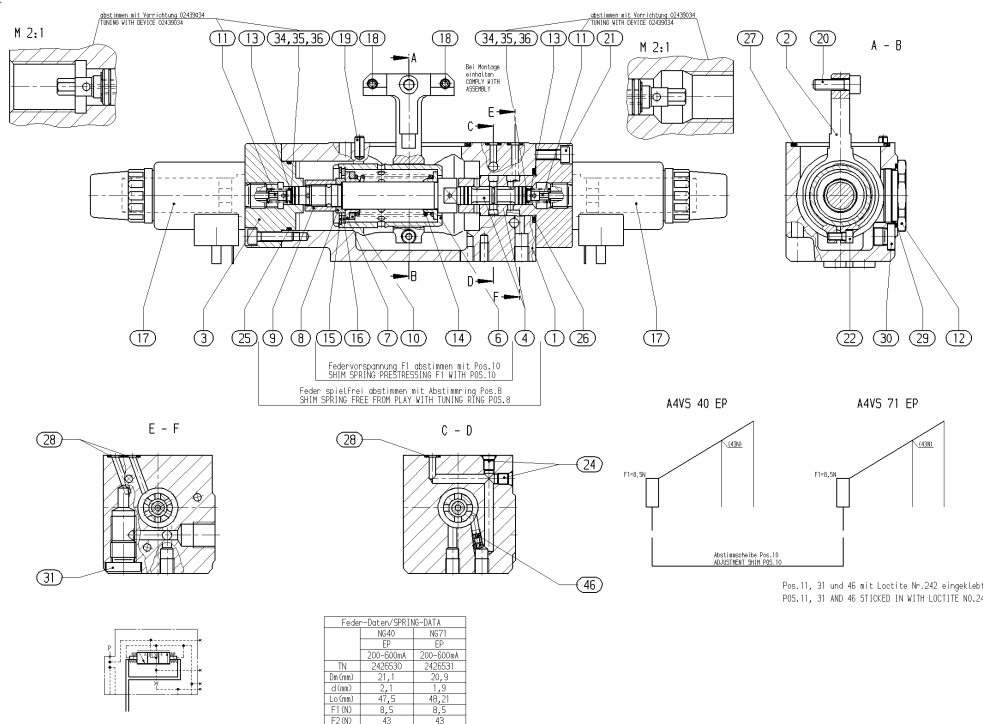
Spare parts list

Material number: R902436745
Drawing: R902435294
Designation: CONTROL MODULE
A4VSG 71 EPD /11 -V

Status of version: 07/2021

Date: 14.07.2021

Page: 4



L = Assembly group D = Sealing element

Security notice:

Assembly, commissioning and operation, disassembly, service (including maintenance and repair) require basic mechanical/electrical/hydraulic/pneumatic knowledge, as well as knowledge of the appropriate technical terms. In order to ensure operating safety, these activities may therefore only be carried out by qualified technical personnel or an instructed person under the direction and supervision of qualified personnel. Qualified personnel are those who can recognize possible hazards and institute the appropriate safety measures due to their professional training, knowledge, and experience, as well as their understanding of the relevant conditions pertaining to the work to be done. Qualified personnel must observe the rules relevant to the subject area. Also observe the generally applicable, legal or otherwise binding regulations of the European or national legislation and the rules for the prevention of accidents and for environmental protection applicable in your country. The data specified above only serve to describe the product. No statements concerning a certain condition or suitability for a certain application can be derived from our information. The given information does not release the user from the obligation of own judgement and verification. It must be remembered that our products are subject to a natural process of wear and aging.

©This document, as well as the data, specifications and other information set forth in it, are the exclusive property of Bosch Rexroth AG. Without their consent it may not be reproduced or given to third parties.